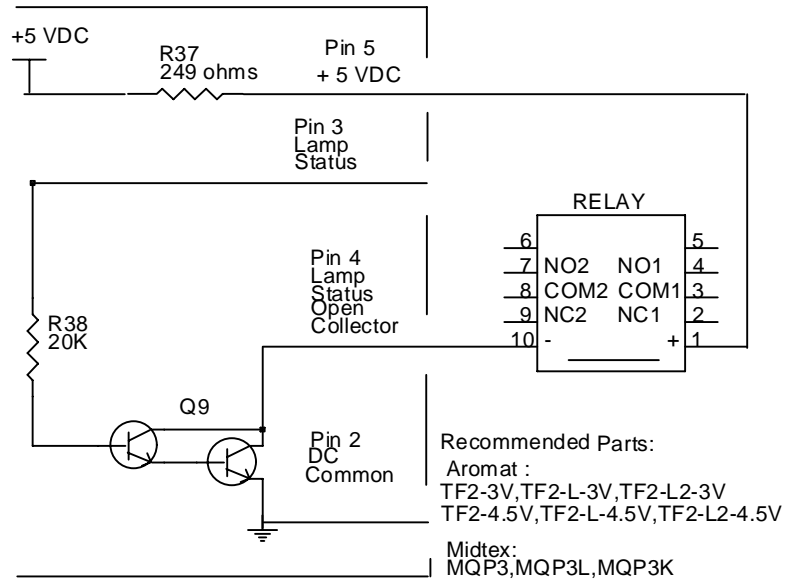


# Technical Note: 117

**Question:** How do I connect a relay to the 3900 so that I can shut down my inspection system when the lamp is out?



**Answer:** The lamp status pin 3 can be sensed but it can not activate a relay. We recommend that you connect the relay to pin 4, the lamp status (open collector), of the 3900 as shown above. When the lamp has burned out, the lamp status signal will be +5 Volts. This will then drive Q9 into conduction and a path to the DC Common will be provided and the relay will activate. The operator must decide which relay pins are needed for their particular situation