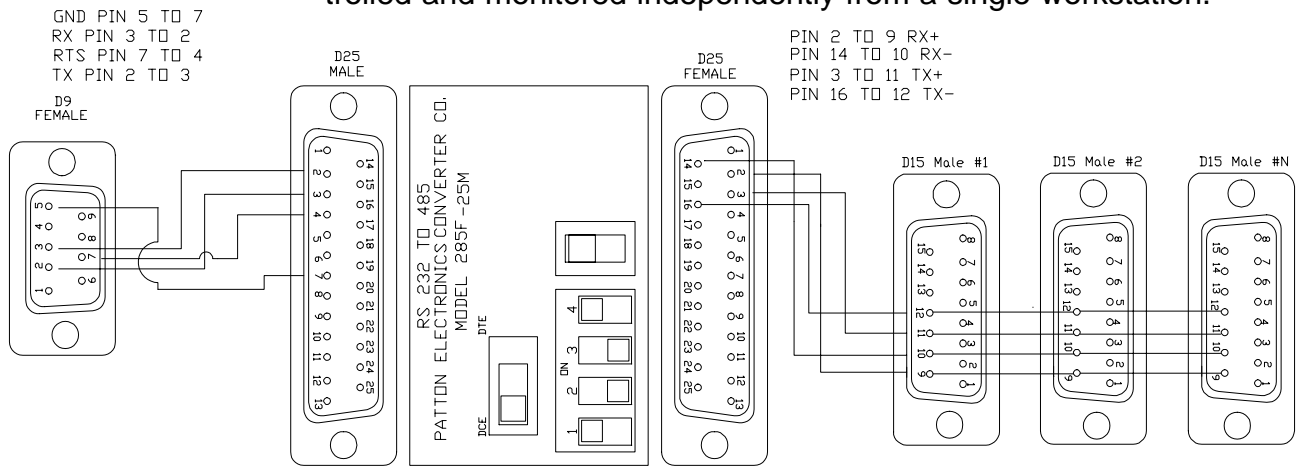


Technical Note: **111**

Question: How can I remotely operate and monitor several **Smart-Lite™** lightsources at once?

Answer: Several lightsources can be monitored simultaneously using the **RS-485** protocol and a standard PC comm port. The communications cable required is shown in the schematic below. The number of male 15 Pin connectors should match the number of lightsources that are being used. As many as 32 **Smart-Lites™** can be controlled and monitored independently from a single workstation.



The Patton Electronics converter (285F) that **it** uses has an internal resistor to prevent crosstalk and line noise that can occur when these cables become very long. When using another converter a 120 Ω resistor may be needed across pins 9 and 10 of the last connector in the chain. If the communication COMM port is other than a standard PC consult your Owner's Manual for the port output configuration. Replace the D-9 Connector with one that mates with your COM port. Remember to cross the Rx and Tx connections between the two devices.

Illumination Technologies, Inc.

5 Adler Drive, East Syracuse, NY 13057 USA
 TEL: 315-463-4673 FAX: 315-463-1401
 E-mail: info@illuminationtech.com
<http://www.illuminationtech.com>