



Innovative Photonic Solutions

# Industrial Web Lighting **WLS - 84**



## KEY FEATURES

- Patented Modular Technology - 6" Modules
- U.S. Pat. No. 5,550,946 and 5,661,838
- *E-Z Glide* Adjustable Lens Assy
- 2 Meter (84") Length - Full NEMA Protection
- Uniformity better than 10% over 2m Length
- Oblique Lightline Option
  - Detect Defects in Direction of Travel
  - Off-Axis "*Side Lighting*" Component
- High Intensity "Tailored" Illumination
- 14 Channel Output - Computer Controlled
- Brightfield or Darkfield Operating Mode

## APPLICATIONS

- |                    |            |
|--------------------|------------|
| ● Rolled Steel     | ● Plastics |
| ● Aluminum         | ● Wood     |
| ● Glass Inspection | ● Textiles |

## Industrial Performance

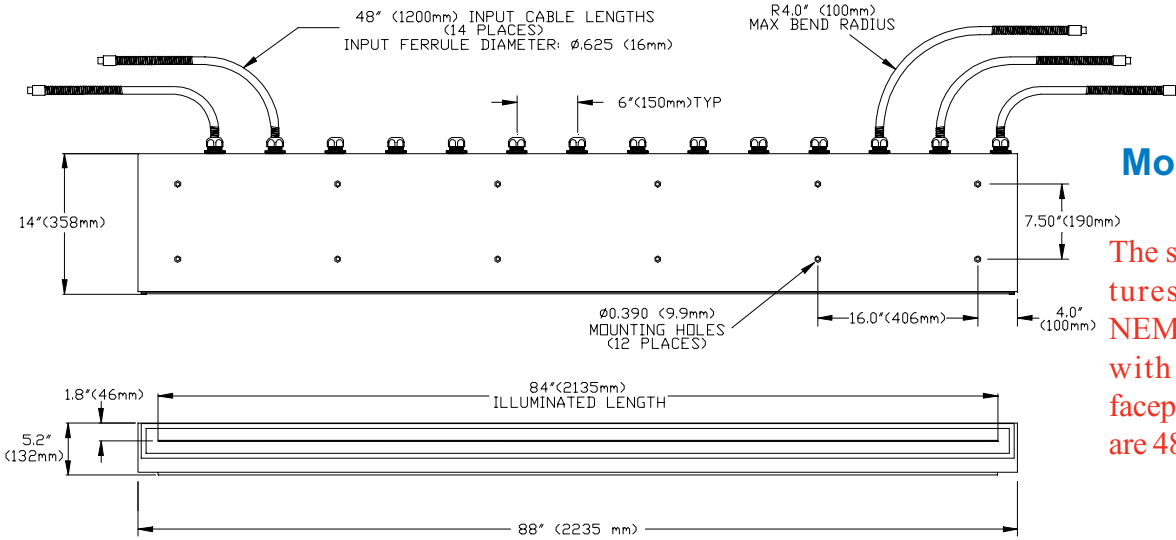
For tough factory environments where downtime is critical, these industrial systems provide high output, supreme stability and the ultimate in robust environmental protection. Designed for standard 2 meters web widths, the **WLS-84** Modular Lightline™ system provides continuous, high intensity lighting with excellent uniformity. The *E-Z Glide*™ lens system provides an easy to adjust rotary focus mechanism that maintains uniformity over the entire working range of 100 to 1000mm off the web. The MLL lightline unit and powersupplies utilize completely sealed NEMA 12 (European IP65) design. Seven (7) channel lamp housings utilize the robust *Dirty-Dog*™ air filtration system that keeps dirt and debris out. The distributed Tungsten Halogen lighting approach provides long lamp lifetimes, high intensities, and the ability to tailor the output profile. The lightsources contain all the features and specifications found in our standard *LightLock*™ technology.

## Output Specifications

Working Distance (mm)	Illuminance (lux)	Minimum Line Width (mm)
100	50,000	3
200	40,000	5
500	30,000	10
1000	15,000	25

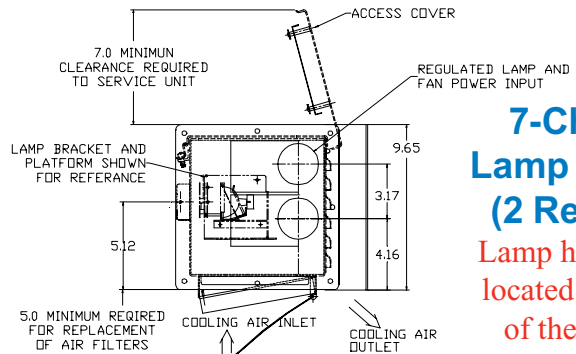
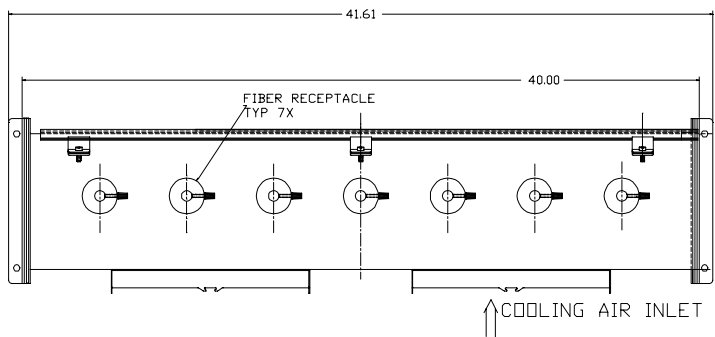
Large Web

# Detail Drawings



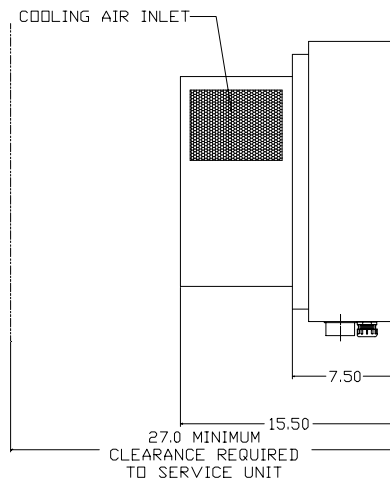
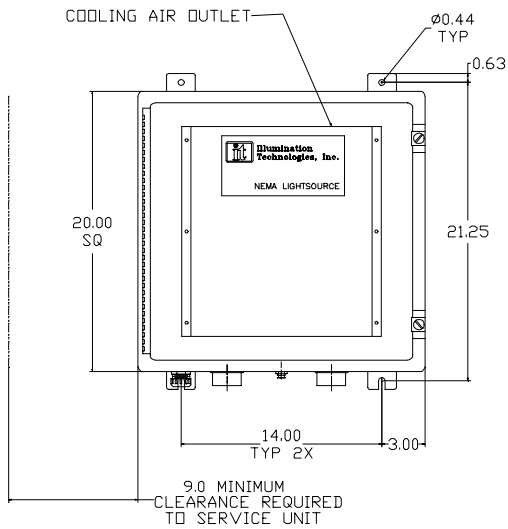
## Modular Lightline Enclosure

The standard WLS-84 features a stainless steel NEMA 12 MLL enclosure with removable acrylic faceplate. Fiberoptic cables are 48" long in PVC sheath.



## 7-Channel Lamp Housing (2 Required)

Lamp housings are located within 48" of the Modular Lightline System



## System Power Supplies (2 Required)

System power supplies can be located up to 100 feet (30m) from the Lamp Housings. The RS-232 communications port and individual channel calibration controls are integral to these units. Individual lamps outputs are regulated using the *Light Lock™* technology which ensures lamp output stability to within 1% of the set point value over the life of each lamp.

Proudly Distributed By:



## ILLUMINATION Technologies, Inc.

5 Adler Drive 1 East Syracuse 1 New York 13057 USA

TEL: 315-463-4673 1 FAX: 315-463-1401 1 Toll Free (North America): 800-738-4297

Web: <http://www.illuminationtech.com> 1 E-mail: [info@illuminationtech.com](mailto:info@illuminationtech.com)