



Innovative Photonic Solutions

Lightlines

Large Web Applications

Illumination Technologies provides high performance fiberoptic lighting systems for web applications. Our lightlines are manufactured with superior output uniformity (+/-10%) providing excellent machine vision performance. Off-the-shelf and OEM configurations available; most systems built to order. Our Application Engineers tailor systems to meet application specific requirements.

KEY FEATURES

- High Intensity 6" Modules Connect Seamlessly
- Available with **E-Z Glide** Adjustable Lens Assy
- Flexible Enclosure Options
 - Open Architecture
 - Enclosure Rating: NEMA 12/IP 65
- **Oblique Lightline**
 - Detects Defects in Direction of Travel
 - Off-Axis Side Lighting
- Excellent Uniformity
- 2 Meter Lengths and Greater

APPLICATIONS

- Rolled Steel
- Aluminum
- Glass Inspection
- Plastics
- Wood
- Textiles



Simplicity to 1 m

The economical 1 meter lightline provides high intensity illumination with excellent uniformity. This robust, one-piece, OEM component is powered by three independent lightsources. Each leg is randomized and evenly distributed over the entire length of the line for maximum balanced intensity. The three feed design provides higher intensity, maximized lamp lifetime and allows for 3-channel color balancing.

1 m and Beyond...

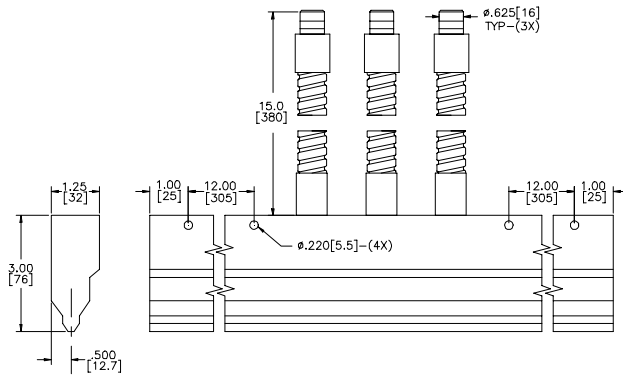
For longer web widths, the **Modular Lightline** system provides continuous, high intensity lighting with excellent uniformity. The Open Architecture format allows for direct installation into OEM equipment. Utilizing our newest patent pending **E-Z Glide** lens system, the focus can be precisely adjusted to form highly structured lighting with a single rotary adjustment, while maintaining uniformity over the entire adjustment range.

Industrial Protection

For tough industrial environments where downtime is critical, NEMA versions of our **Modular Lightlines** and **Oblique Lightlines** provide the ultimate in protection. Completely sealed NEMA 12 (European IP65) units keep dirt, vapors, and debris from settling on the critical internal optics. All units utilize the patent pending **E-Z Glide** lens system.

NEMA Lightsources

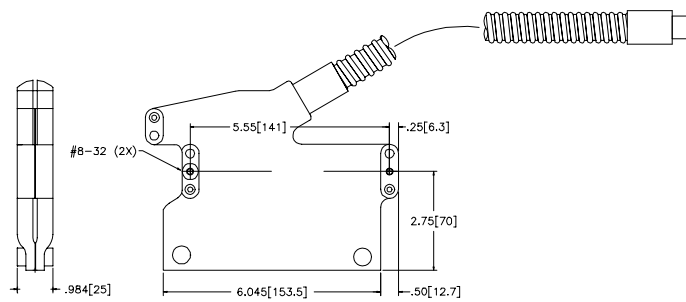
A wide variety of sources can be used to power the industrial lightlines, all of which can be supplied in NEMA configurations. Choose from Tungsten Halogen (ultra stable, high intensity), or from long lifetime sources including Metal Halide (white light, 10k hours) or HPS (up to 40k hours). All units feature highly reliable air-to-air heat exchangers - no compressed air or water cooling required.



9160 Series

9160 Series *1m Lightline*

Off-the-shelf design with high output and excellent uniformity. Powered by three light sources, each of which is uniformly distributed over the full length of the line. Through holes on light head for mounting. Cylindrical lens, diffuser and polarizer attachments available. Open architecture systems and full NEMA configurations to order. Custom sizes up to 1 meter in length.



9170 Series

9170 Series *Modular Lightline*

The basic building blocks for applications over 1 meter in width. Available in single and dual headed configurations depending on the number of light sources. Threaded holes on light head for mounting end-to-end to create seamless lighting. Cylindrical lens, diffuser and polarizer attachments, open architecture systems and full NEMA configurations to order. All system built to application specific requirements.



9180 Series

9180 Series *Oblique Lightline*

Similar to the 9170 series, but with the output fibers angled to provide a cross-web illumination component. This side lighting component provides strong contrast enhancement for defects which are aligned in the direction of web travel. Also useful for other "dark field" line applications.

Proudly Distributed By:



Innovative Photonic Solutions

Illumination Technologies, Inc.

5 Adler Drive 1 East Syracuse 1 New York 13057 USA

TEL: 315-463-4673 1 FAX: 315-463-1401 1 Toll Free (North America): 800-738-4297

Web: <http://www.illuminationtech.com> 1 E-mail: info@illuminationtech.com