



Innovative Photonic Solutions

CF-2000

ARE YOU:

*Supporting endusers half way around the globe?
Ineffectively managing your compliance issues?
Trying to repeatedly balance multiple lightsources?
Sending your engineers to do an operator's job?*

KEY FEATURES

- NIST Traceable Calibration
- +/- 3% Lamp to Lamp Repeatability
- +/- 4% Unit to Unit Repeatability
- 8-position Filterwheel
- Linear DC Regulation
- *Light-Lock™* Light Feedback
- RS-232/485 Interface
- Ethernet Option
- Internal Self Diagnostics
- Lamp Status Indicators
- Accepts $\phi 20$ or $\phi 25$ mm filters
- 150W Spectrally Stable Halogen

APPLICATIONS

- LCD Inspection
- CMOS Sensor Calibration
- Large Web (Multiple Source)
- Food Inspection
- Pharmaceutical Production
- Automated Pap Screening
- Medical Diagnostic OEMs
- Biotechnology Research
- Fluorescence
- Digital Microscopy



Simple. One Button. NIST Traceable.

Eliminate the #1 variable in digital imaging systems - today, tomorrow, forever.

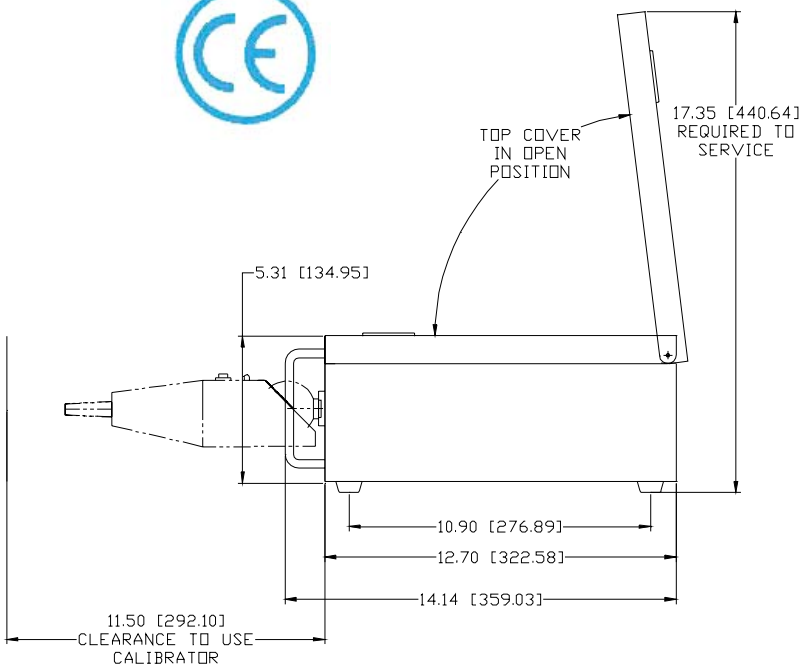
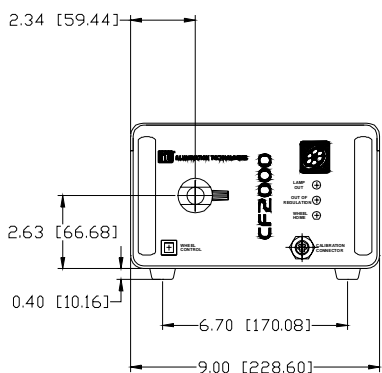
New auto-calibrating technology from Illumination Technologies eliminates forever the largest variable in all digital imaging systems. Software has dramatically improved lighting compensation algorithms, yet most applications are still significantly hampered by poor control of this variable over the lifetime of an entire system - which may be in excess of 5 years.

When combined with the companion calibrator, the CF-2000 lightsource offers the industry's first ever *AutoCal™* feature, ensuring that every system manufactured provides the same photonic output - forever. That means the same photonic output after numerous lamp replacements - even when performed by untrained operators that are outside of the OEM's control. Calibration only needs to be performed once per lamp, and takes less than 3 seconds to complete.

The unit also features an internal 8-position remotely controlled filter wheel that accepts color or ND filters for precision spectral work, and has sophisticated technology to warn the operator of poor lamp performance for both new and aging lamps - dramatically reducing unscheduled maintenance. The unit accepts all of the standard Illumination Technologies accessories including the entire line of standard and custom fiberoptic light delivery components. All Illumination Technologies products offer a full one year warranty.

Detail Drawing

DXF file Available



Technical Specifications

Physical

Height: 5.31" (135mm)
 Width: 9.00" (230mm)
 Length: 14.14" (359mm)
 Weight: 10.0lbs (4.5kg)

Output Stability

Regulation: 0.1% (Photometric)
 Noise: 0.1% (Photometric)
 Long-term: 1.0% (Photometric)
 Lamp to Lamp: 4.0% (Radiometric)[†]
 Unit to Unit: 5.0% (Radiometric)[†]

Control

Intensity: Analog (0-5V)
 RS-232/485
 Ethernet*
 Filter Wheel: Manual Jog
 RS-232/485
 Ethernet*
 Lamp SSR: RS-232/485
 Ethernet*

Electrical

Input: 88-132 VAC/60Hz
 176-264VAC/50Hz
 Input 100/120V 290W
 Power: 220/240V 360W
 Inrush 100/120V 2.26A
 Current: 220/240V 1.10A
 Overvoltage: Category II

Regulation Scheme

Short-term: Linear DC Regulator
 Long-term: Optical Light Feedback

Environmental

Temperature: 0 to 40C
 Relative Humidity: 0 to 95%
 Altitude Rating: 2000m (max)
 Pollution Rating: Pollution Degree 2

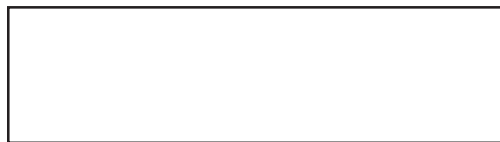
Diagnostics

Lamp Quality: Yellow LED
 Analog & Serial Outputs
 Lamp Out: Red LED
 Analog & Serial Outputs

Lamp

IT Part Number 9596A

Proudly Distributed By:



Innovative Photonic Solutions

Illumination Technologies, Inc.

5 Adler Drive • East Syracuse • New York 13057 USA
 TEL: 315-463-4673 • FAX: 315-463-1401 • Toll Free (North America): 800-738-4297
 Web: <http://www.illuminationtech.com> • E-mail: info@illuminationtech.com

* Optional Ethernet interface replaces all analog and serial communication interfaces
[†] Typical performance when operated with IT lamp 9596A. Other lamps may not meet these specifications.