



Innovative Photonic Solutions

Backlights

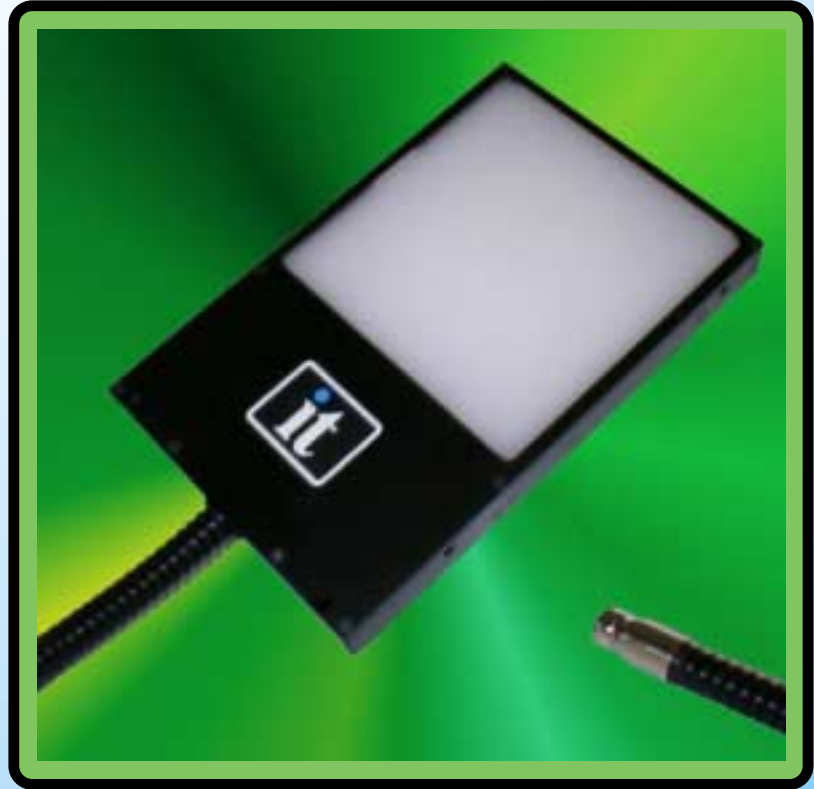
2x2, 3x3, 5x5

KEY FEATURES

- Manufactured with Glass Fiber
- No Special Filters Required
- No Polymer Fiber to Burn
- Superior Uniformity +/-10%

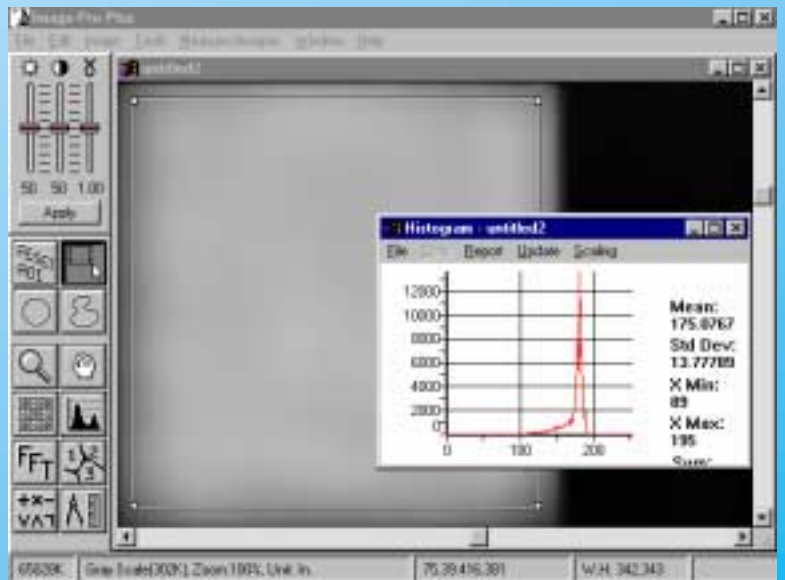
APPLICATIONS

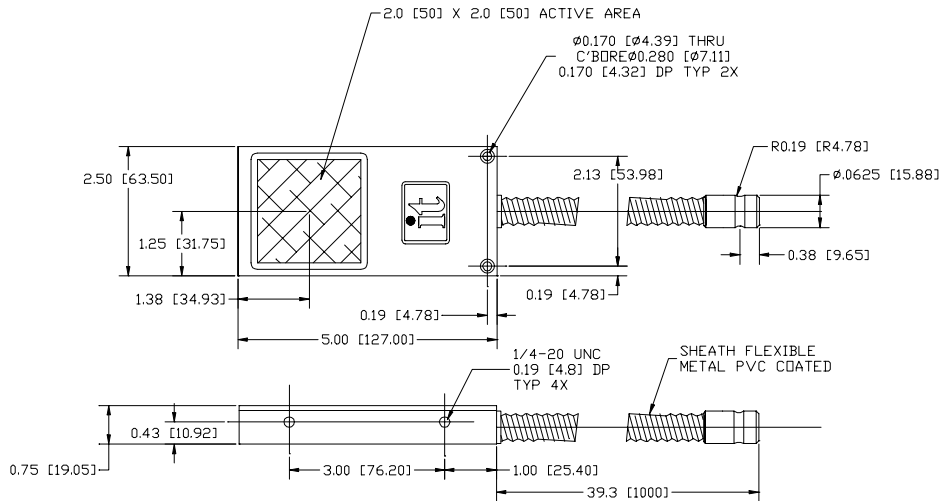
- Metrology
- Gauging
- Transparent Object Inspection
- Edge Detection
- Glass Inspection



Superior Backlight Uniformity

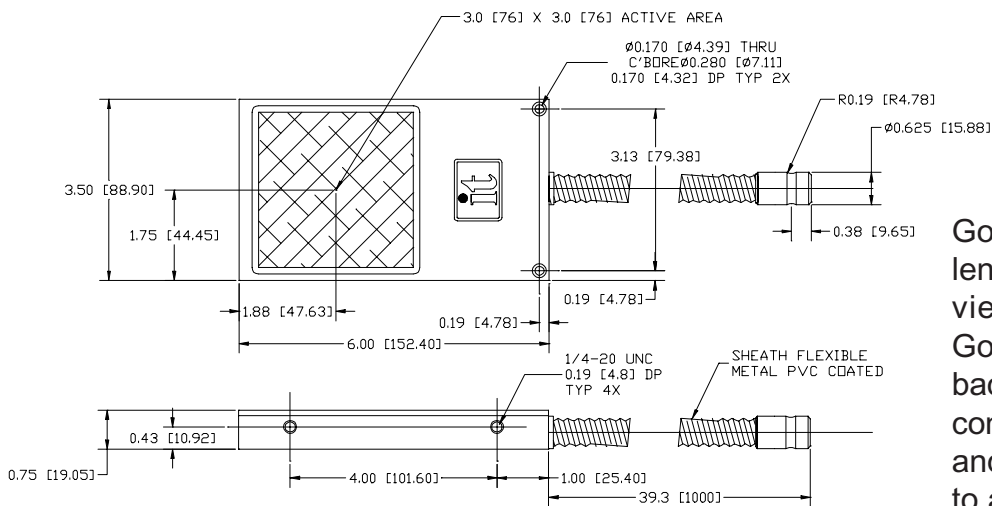
The data on the right displays the typical intensity distribution for our line of glass fiberoptic backlights. The 10% uniformity measurement is made over the central 90% of the area and specified using the one sigma point. All uniformity and output measurements are made using an industry standard EKE lamp operating at full intensity. Our units are inspected 100% and are furnished with compliance reports.





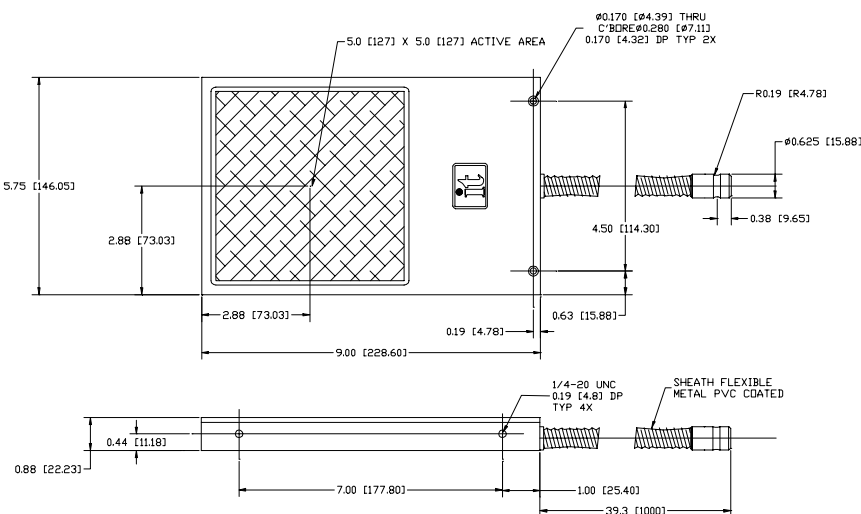
P/N 9420B 2"x 2" Backlight

High output luminance with excellent uniformity. Low profile design. Good choice for high magnification metrology applications. Also available in dual and quad configurations for both metrology and diffused sources. Two through holes and two tapped holes on each side to allow for easy mounting.



P/N 9435B 3"x 3" Backlight

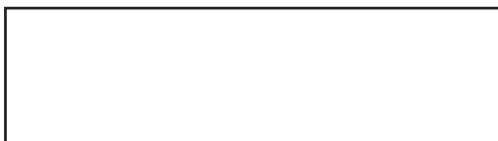
Good output luminance and excellent uniformity with a good field of view. Slim, low profile design. Good choice for general purpose backlighting. Also available in dual configurations. Two through holes and two tapped holes on each side to allow for easy mounting.



P/N 9450B 5"x 5" Backlight

Good output luminance and uniformity with a large field of view. Slim, low profile design. Good choice for large area backlighting, or as a diffuse front light for surface flaw detection. Two through holes and two tapped holes on each side to allow for easy mounting.

Proudly Distributed By:



Innovative Photonic Solutions

Illumination Technologies, Inc.

5 Adler Drive 1 East Syracuse 1 New York 13057 USA

TEL: 315-463-4673 1 FAX: 315-463-1401 1 Toll Free (North America): 800-738-4297

Web: <http://www.illuminationtech.com> 1 E-mail: info@illuminationtech.com