



Innovative Photonic Solutions

5860

LED Ringlight

KEY FEATURES

- High Intensity White (10,000 lux)
- Long Lifetime (50,000 hours)
- Flicker-free DC Operation
- Vibration & Impact Resistant
- f60mm Mounting Diameter
- Working Distance: 80mm (+/-20)
- 10% Uniformity (f40mm Spot)
- Fully Variable Output (0-100%)



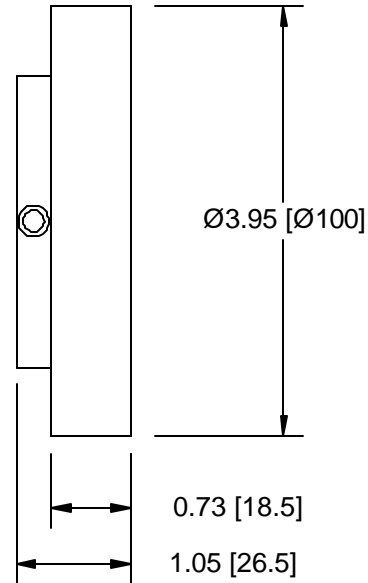
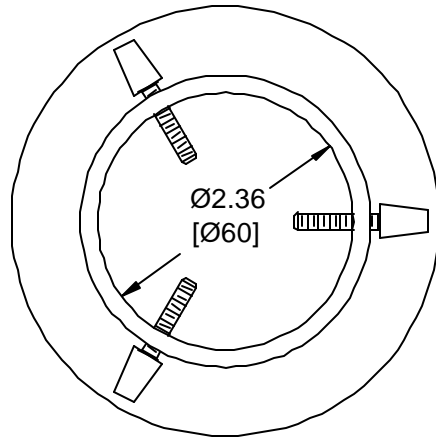
APPLICATIONS

- Machine Vision
- Microscopy
- On-line Sensors
- Smart Cameras
- Biotechnology
- Pharmaceutical

Low Cost/High Performance

Finally, a major cost breakthrough in a white light LED Ringlight. The **5860** LED Ringlight provides high intensity, shadow free, white light in a robust and reliable product configuration. The black anodized aluminum ringlight fits all standard camera lenses and microscope objectives with diameters of 60mm or less. Designed to replace expensive fluorescent and fiberoptic ringlights in a wide range of applications including cost sensitive machine vision and microscopy applications. The unit features 48 white LEDs which provide intense white light with 5500K color temperature, and comes complete with a variable DC current regulated powersupply which operates from 95-240VAC.

Detail Drawing



DXF File Available

NOTE: Specifications May Change without Notice

Technical Specifications

Average Lifetime

Continuous: 50,000 Hours

Electrical

Input: 95-240VAC 50/60Hz
Output: 0-300mA, Regulated
Cable Length: 48" (1.2m)

Output

Spot Size: ϕ 40mm
Uniformity: +/-10%

Environmental

Temperature: 0 to 35C
Relative Humidity: 0 to 95%

Photonic Output @ 80mm Working Distance

Photometric: 10,000 lux

Radiometric: 10.0 mW/cm²

Silimetric:^{*} 5.0 sW/cm²

* Artificial units developed by Illumination Technologies to more accurately predict the relative output signals generated by various illumination devices on silicon based detector systems, including CCD and CMOS cameras. For more detailed information on this topic visit our website and download Tech Note #125 - "Correct Measurement Units"

Proudly Distributed By:



Illumination Technologies, Inc.

5 Adler Drive • East Syracuse • New York 13057 USA

TEL: 315-463-4673 • FAX: 315-463-1401 • Toll Free (North America): 800-738-4297

Web: <http://www.illuminationtech.com> • E-mail: info@illuminationtech.com

© 2006 Illumination Technologies