



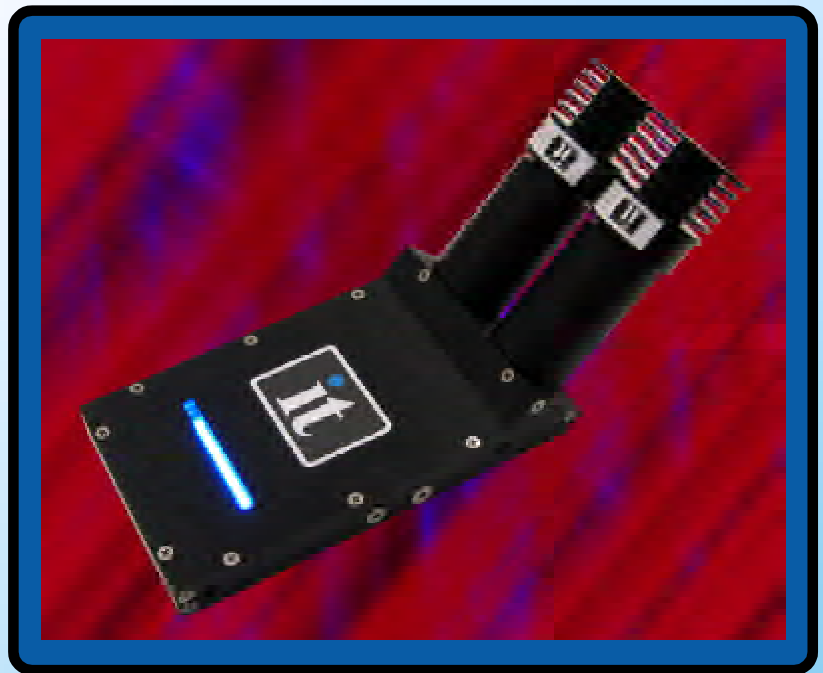
Innovative Photonic Solutions

5455

Linescan CABI

KEY FEATURES

- Brightfield Linescan Illuminator
- Field of View: 4mm x 50mm
- 50,000 Hours Operation
- Multiple Wavelength Options
- Solid State LED Reliability
- Robust Prism Beamsplitter
- Highest Intensity & Uniformity



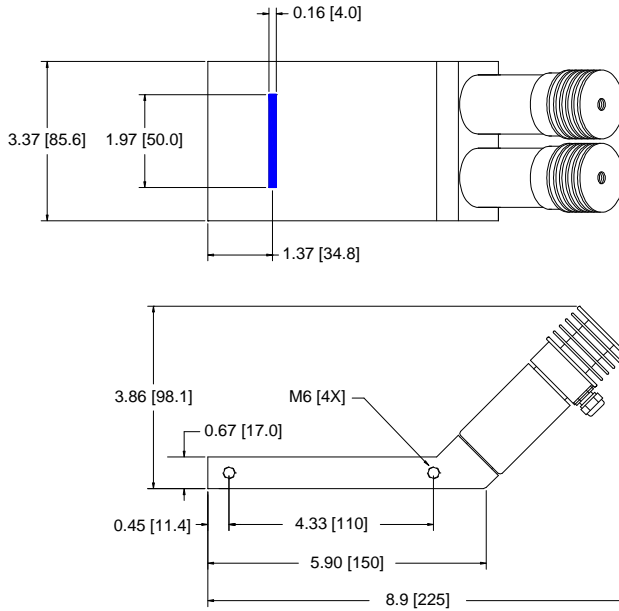
Highest Intensity Ever!

Using the most sophisticated solid state photon generating technologies and a novel optical design, the **5455** series Linescan CABIs provides the highest intensities ever developed for linescan applications requiring a true brightfield illumination structure. The unique design of these devices allows for high speed linescan applications with excellent uniformity - allowing for small aperture settings with good depth of field. These solid state units are very robust, have excellent lifetimes, and are designed with snap-on LED lamps for easy replacement or upgrade to different wavelengths in the future. Units are available in a wide range of wavelengths, including broadband white. Custom cable lengths and configurations available on request.

APPLICATIONS

- PC Board Inspection
- Print Inspection
- Extruded Products
- LCD Inspection
- Web Applications
- Etched Metal Components

Detail Drawing



PART NUMBER

5455 - WWW - LL

LL	Length (m)
- 01	1m (39")
- 02	2m (78")
- 03	3m (118")

WWW	Wavelength, Color
-455	455 nm, Deep Blue
-470	470 nm, Blue
-505	505 nm, Light Blue
-530	530 nm, Green
-590	590 nm, Amber
-617	617 nm, Orange/Red
-627	627 nm, Red
-WHT	5500K, White

NOTE: Specifications May Change without Notice

DXF File Available

Technical Specifications

Lamp Lifetime

Continuous: 50,000 Hours

Lighting Structure

Lighting Structure: Brightfield

Uniformity: +/-10%

Environmental

Temperature: 0 to 35C

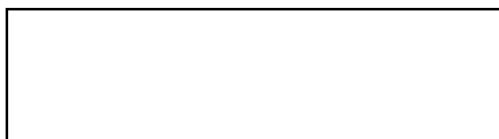
Relative Humidity: 0 to 95%

Electrical

455, 470, 505, 530, WHT: 0 to 700mA

590, 617, 627: 0 to 1000mA

Proudly Distributed By:



Illumination Technologies, Inc.

5 Adler Drive • East Syracuse • New York 13057 USA
 TEL: 315-463-4673 • FAX: 315-463-1401 • Toll Free (North America): 800-738-4297
 Web: <http://www.illuminationtech.com> • E-mail: info@illuminationtech.com

© 2006 Illumination Technologies